

LONE  WOLF

ELIMIN8R .45  
OWNERS MANUAL



Before using this suppressor, please ensure you have read, and thoroughly understand this manual. Failure to do this can result in property damage, injury and or death. Always follow the five rules of gun safety.

TABLE OF CONTENTS

Product Overview	3
Specifications	4
General Considerations	6
Mounting Options	8
Installation	9
Removal	11
Cleaning/Maintenance	12
Disclaimers	14
Additional Information	15

**1. PRODUCT OVERVIEW**

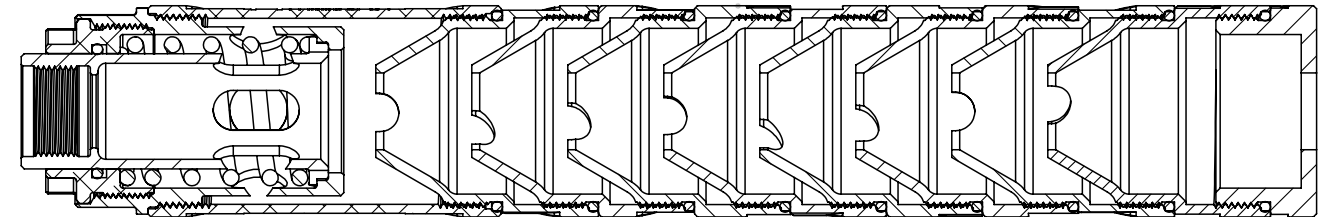
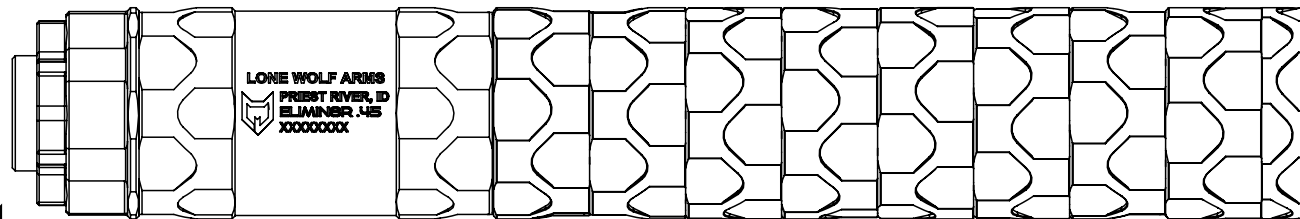
The LONE WOLF ARMS ELIMIN8R .45 sound suppressor is a modular, multicaliber sound mitigator that is compatible with a variety of host firearms and calibers, utilizing different mounting options.

Observe all warning within this manual for safe operation of your suppressor.

ALL NFA RULES APPLY.

Lead Exposure Warning:

Your suppressor will collect lead and other potentially harmful chemicals. It is recommended that you wash your hands thoroughly and be aware of any exposure that may occur.



## 2. SPECIFICATIONS

Caliber: 45 ACP (See details in Caliber Ratings Section)

Length: 8.45" (with full baffle stack)

Diameter: 1.375"

Weight: 10.1 oz. (With .578-28 piston (not included))

Material: 7075 Aluminum and 17-4 Stainless Steel

Coating: Black Anodize Type III Class 2 and Salt Bath Nitride

Rate of Fire: full auto rated

Due to the modular design of the LONE WOLF ARMS ELIMIN8R .45 Suppressor, users can choose how many baffles to use while shooting. The suppressor includes eight baffles for maximum suppression. LONE WOLF ARMS encourages users to remove one baffle at a time and shoot the suppressor until the desired size and sound reduction levels are met. Bear in mind, the less baffles on the suppressor the less sound reduction will occur. Performance will also be affected by ammunition type and barrel length of the host firearm.

The baffles are all the same and can be put back together in any order. Rigorous testing proved that the sound reduction is the same regardless of baffle orientation.



## 2. SPECIFICATIONS

Caliber Ratings:

The LONE WOLF ARMS ELIMIN8R .45 Suppressor is compatible with different caliber host firearms. These include but may not be limited to:

.45 ACP

.40 S&W

9x19MM Parabellum

10MM AUTO

.300BLK (Sub Sonic)

.357 SIG

.380 ACP

If you have a question about caliber compatibility, please contact LONE WOLF ARMS customer service by phone at 208-448-0600, or by email at [customerservice@lonewolfdist.com](mailto:customerservice@lonewolfdist.com).

The largest caliber your suppressor is designed for is .45 caliber, anything larger in diameter will result in damage to the suppressor.

The highest pressure ammo your suppressor is rated for is 10MM AUTO, exceeding this pressure will result in damage to the suppressor.



### 3. GENERAL CONSIDERATIONS

#### Ammunition Considerations:

Your choice in ammunition will have a major effect on the sound reduction performance from your suppressor. We recommend only using quality ammunition, loaded to SAAMI specifications. Avoid using reloaded ammunition as it may cause damage.

- The use of lead cast bullets may increase the amount of fouling inside your suppressor, requiring more cleaning.
- Frangible or bird shot ammunition is not recommended for use with the LONE WOLF ARMS ELIMIN8R .45 Suppressor and may cause damage or injury.
- Hollow point ammunition is ok for use in your suppressor.



### 3. GENERAL CONSIDERATIONS

#### Barrel Length Considerations:

The LONE WOLF ARMS ELIMIN8R .45 Suppressor does not have barrel length restrictions associated with calibers. It is important to take note of barrel concentricity.

#### Concentricity Considerations:

To reduce the risk of a baffle strike on your suppressor, it is important to check the alignment of the suppressor on any new host firearm. The threads of the barrel must be aligned to the bore axis. Use the proper tools and techniques to verify alignment or have a qualified gunsmith perform this step to avoid damaging or destroying your suppressor and/or firearm.



## 4. MOUNTING OPTIONS

You have 4 options when mounting your ELIMIN8R .45 Suppressor to your firearm of choice.

1. Piston- for tilting barrel handguns
2. Fixed Barrel Spacer- for any fixed barrel firearms
3. Direct Thread- for any fixed barrel firearms
4. 3-Lug Adapters- for some submachine guns and carbines

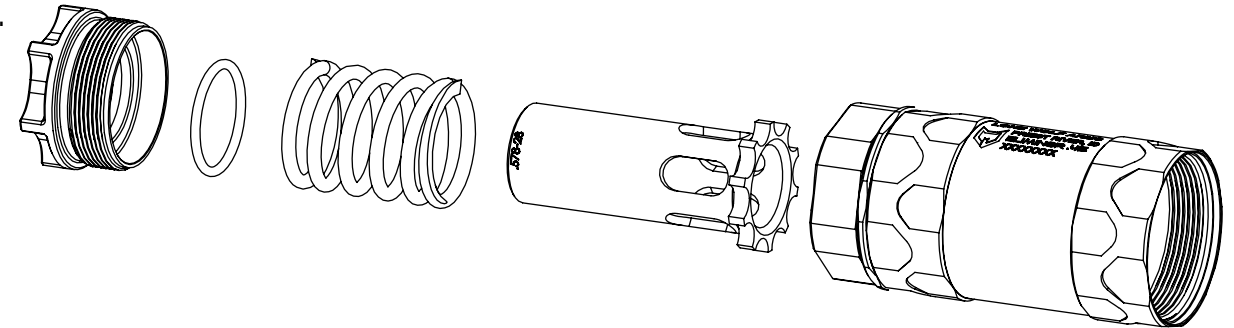


## 5. INSTALLATION

The LONE WOLF ARMS ELIMIN8R .45 Suppressor mount is threaded 1.125-28 allowing it to accept numerous types of mounts from several different manufacturers. Pistons are available at [lonewolfdist.com](http://lonewolfdist.com).

To install your LONE WOLF ARMS ELIMIN8R .45 Suppressor start by ensuring your host firearm is unloaded and safe. Remove the magazine from the firearm. Visually and manually check and clear the chamber and action.

Remove any thread protector from the muzzle of the host barrel. Verify the thread pitch of the barrel and the chosen suppressor mount match. It is recommended that the piston be lubricated first. This can be a lithium grease or similar, apply a light coating to the body of the piston. Place the piston into the suppressor body, place the spring onto the piston, then with the included piston endcap, complete the system. Thread the suppressor onto the host barrel hand tight only. Do not over tighten.



## 5. INSTALLATION

If you choose to use a fixed mount or three lug mount, remove the piston, spring and piston endcap and install the fixed mount or three lug mount into the suppressor body. Hand tight is sufficient. Do not over tighten or use a tool as this may cause damage to the mount, barrel, or suppressor.

If you feel resistance while threading the suppressor onto the host firearm barrel, stop. Review the instructions to ensure you are following all instructions. If you continue to have this issue, please contact customer service by phone at 208-448-0600 or by email at [customerservice@lonewolfdist.com](mailto:customerservice@lonewolfdist.com).

After installation of your suppressor periodically check that the suppressor is still tightly installed onto the barrel. Suppressors that are thread mounted will tend to loosen either at the barrel or at the mount and should be checked often to avoid damage and/ or accuracy issues.

## 6. REMOVAL

Removal of the suppressor is dependent on the direction of the thread pitch. To unthread the suppressor turn it clockwise for a metric thread or counterclockwise for a standard thread. **Be cautious! The suppressor will have become extremely hot after use and could cause burns or injury.** Let the suppressor cool to ambient temperature before removal. If the suppressor is not allowed to cool, protective measures should be implemented.

\*Because the LONE WOLF ARMS ELIMIN8R .45 Suppressor is threaded 1.125-28 it is compatible with other manufacturer mounts. If using these mounts, follow the manufacturer installation instructions and always check for proper alignment on the host firearm.



## 7. CLEANING & MAINTENANCE

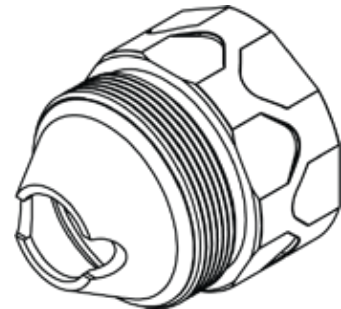
The LONE WOLF ARMS ELIMIN8R .45 Suppressor will require maintenance for best performance. Generally, the minimum maintenance needed is keeping the mount area free of carbon and other debris and the threads of the baffles.

Your suppressor piston mechanism will require cleaning and lubrication after each shooting session. The piston components are made of steel and can be scrubbed clean using a stiff brush and cleaning solvent, such as Cleaner, Lubricant, Protectant (CLP).

To ensure smooth assembly, the grooves on the piston should be thoroughly cleaned, and have carbon removed. After cleaning the piston, body should be lubricated with a light lithium grease.

Each Baffle should be separated, inspected, cleaned, and lubricated. Take note of each O-ring on the baffles and inspect for damage. A small amount of lubrication to each O-ring will aid with assembly and disassembly.

Replacement O-rings will be available from LONE WOLF ARMS. When threading the baffles back together be sure not to cross thread them as damage will occur.



## 7. CLEANING & MAINTENANCE

To make maintenance on the suppressor easier, the suppressor can be shot wet to loosen internal build up. Shooting the suppressor wet will also increase sound mitigation performance for a short period of time. To make the suppressor wet, pour about one tablespoon of water into the suppressor from the piston side. Swirl the water around, then follow the proper mounting procedure. Shoot 10-20 rounds through the suppressor and follow removal instructions. The buildup on the baffles and mount should now be easier to wipe away.

After shooting wet, be sure to dry the suppressor components and apply lubricant to the piston mechanism, if being used.

The LONE WOLF ARMS ELIMIN8R .45 Suppressor does feature an aluminum body and baffles. Be aware of what chemicals you choose to use and that they are safe to use with anodized aluminum.

## 8. DISCLAIMERS

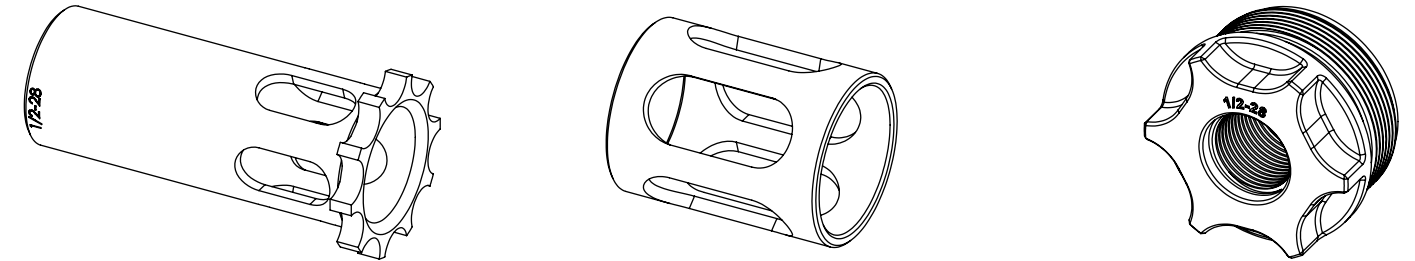
The Magnuson-Moss Act (Public Law 93-637) does not require any seller or manufacturer of a consumer product to give a written warranty. It does provide that if a written warranty is given, it must be designated as “limited” or as “full” and sets minimum standards for a “full” warranty. Vigilant Gear LLC (DBA Lone Wolf Arms) has elected not to provide any written warranty, either “limited” or “full”, rather than to attempt to comply with the provisions of the Magnuson-Moss Act and the regulations issued thereunder. There are certain implied warranties under state law with respect to sales of consumer goods. As the extent and interpretation of these implied warranties varies from state to state, you should refer to your state statutes. Lone Wolf Arms wishes to assure its customers of its continued interest in providing service to owners of Lone Wolf Arms products.

If you have any questions regarding this product, please contact customer service by phone at 208-448-0600 or by email at [customerservice@lonewolfdist.com](mailto:customerservice@lonewolfdist.com).



## 9. ADDITIONAL INFORMATION

LONE WOLF ARMS is proud to offer a variety of accessories for your ELIMIN8R .45 Suppressor, including pistons in multiple thread pitches, fixed barrel spacers, thread mounts in multiple thread pitches and replacement o-ring sets. Please visit [www.LoneWolfDist.com](http://www.LoneWolfDist.com) to find these and all of our products.



Below are some of the more common thread pitches and corresponding calibers for pistons and mounts:

- .22LR and 9MM (Standard): 1/2-28
- 9MM (Metric): M13.5x1 Left Hand
- 9MM Carbine: 1/2-28, 1/2-36, 1/2-32
- .40 S&W and 10MM (Standard): 9/16-24
- .40 S&W (Metric): M14.5x1 Left Hand
- .45 ACP (Standard): .578-28
- .45 ACP (Metric H&K MK23): M16x1 Right Hand
- .45 ACP (Metric): M16x1 Left Hand





LONE  WOLF

ELIMIN8R .45  
OWNERS MANUAL